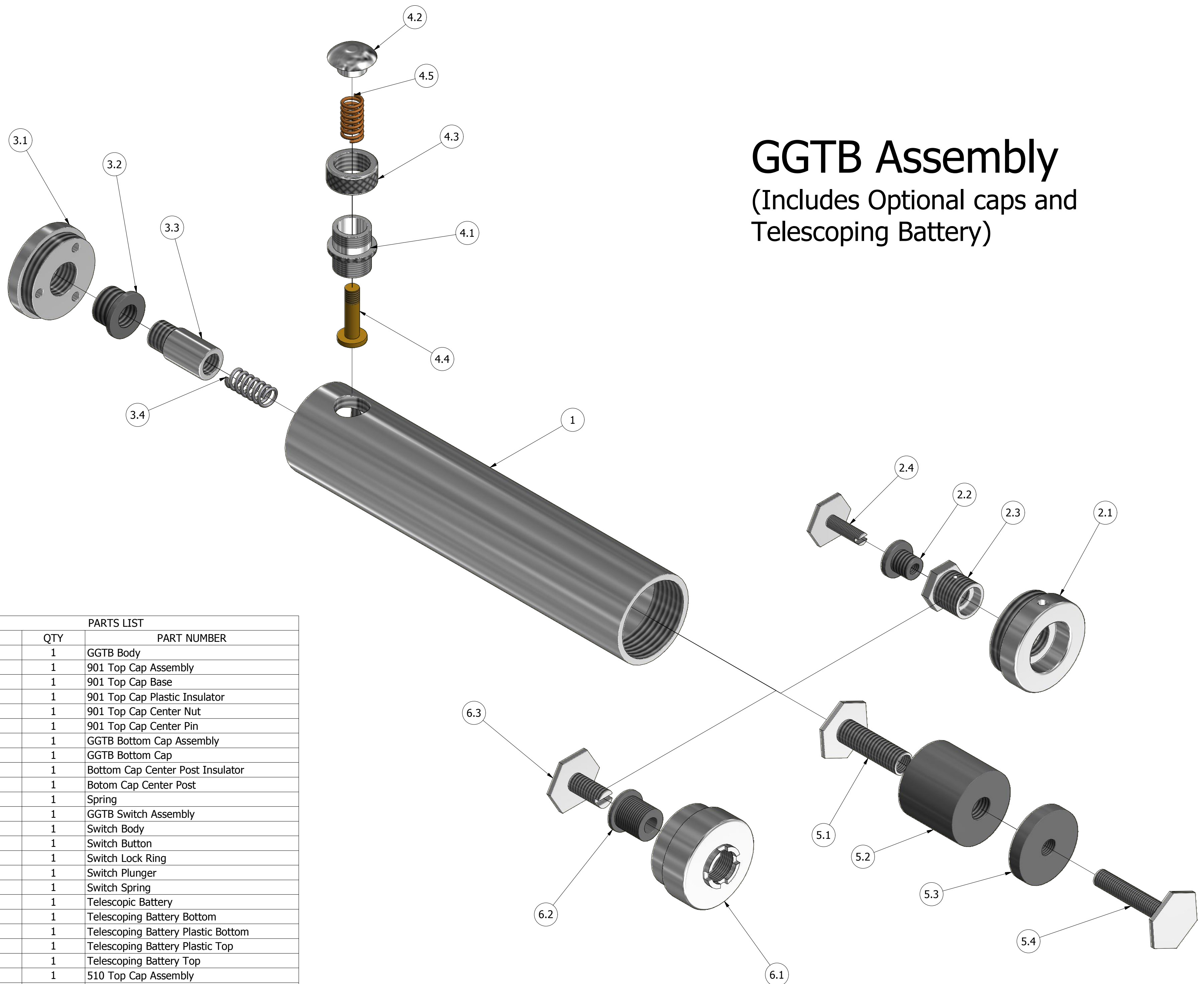


GGTB Assembly

(Includes Optional caps and Telescoping Battery)



PARTS LIST		
ITEM	QTY	PART NUMBER
1	1	GGTB Body
2	1	901 Top Cap Assembly
2.1	1	901 Top Cap Base
2.2	1	901 Top Cap Plastic Insulator
2.3	1	901 Top Cap Center Nut
2.4	1	901 Top Cap Center Pin
3	1	GGTB Bottom Cap Assembly
3.1	1	GGTB Bottom Cap
3.2	1	Bottom Cap Center Post Insulator
3.3	1	Bottom Cap Center Post
3.4	1	Spring
4	1	GGTB Switch Assembly
4.1	1	Switch Body
4.2	1	Switch Button
4.3	1	Switch Lock Ring
4.4	1	Switch Plunger
4.5	1	Switch Spring
5	1	Telescoping Battery
5.1	1	Telescoping Battery Bottom
5.2	1	Telescoping Battery Plastic Bottom
5.3	1	Telescoping Battery Plastic Top
5.4	1	Telescoping Battery Top
6	1	510 Top Cap Assembly
6.1	1	510 Top Cap Base
6.2	1	510 Top Cap Plastic Insulator
6.3	1	510 Top Cap Center Pin